



private balcony Hamburg



ALU-SMART A clever sunshade



Glatz
Shade in Swiss Quality



Area of use



Type of fastening



As the bestseller of GLATZ, the ALU-SMART, one of the smallest in the range, has much to offer. This sunshade is very practical for small spaces. It can be opened and closed easily using its slider. The ALU-SMART can be adapted to suit every style, while at the same time providing a modern twist with its elegant fabric edge. On top of this, it is perfect for being combined with GLATZ giant sunshades. The fabric covering is interchangeable and it is self-tightening thanks to its flexible supporting rods.



Tuscany, Italy

Material and technology

Frame: 6 or 8 rods made of aluminium, anodized natural, with a profiled pole and stepless height adjustment. Upper pole 38.4 x 1.2 mm – lower pole 35 x 1.5 mm, tilting thanks to the tilt joint.

Frame colour: anodized natural

Frame shape: round, rectangular or square

Shade cover: self-tautening thanks to the flexible rod ends
material class 5 (100 % polyacrylic approx. 300 g/m²)
material class 4 (100 % polyester approx. 250 g/m²)
material class 2 (100 % polyester approx. 220 g/m²)

Flounce: not available

Protective cover: optional

Assortment

	Nominal size	Lateral distance	Area covered	Height closed	Clear headroom	Total height	Clearance height, sunshade part inclined	Total height, sunshade inclined	Foundation	Minimum weight for base	max. wind speed open perm.	Order no. Frame anodized natural
	cm	cm	m ²	cm	cm	cm	cm	cm	cm	kg	km/h (wind force)	
	A	AS	B	E	F	G	K	L	C			
○	∅ 200	175	2.6	70...130	150...210	180...240	95...155	200...260	40×40	30	75 (9)	206 00 200 171
	∅ 220	205	3.4	65...125	150...210	180...240	90...150	205...265	40×40	30	65 (8)	206 00 220 171
	∅ 250	230	4.4	50...110	150...210	185...245	80...140	217...275	50×50	40	50 (7)	206 00 250 171
	∅ 300	275	6.4	50...90	170...210	210...250	85...125	245...285	60×60	40	35 (5)	206 00 300 171
□	210×150	-	3.2	50...110	150...210	185...245	110...170	190...250	40×40	30	55 (7)	206 00 212 171
	250×200	-	5.0	40...80	170...210	210...250	110...150	220...260	50×50	40	40 (6)	206 00 252 171
□	200×200	-	4.0	35...95	150...210	185...245	95...155	200...260	40×40	40	50 (7)	206 00 201 171
	240×240	-	5.8	30...70	170...210	210...250	100...140	230...270	50×50	40	40 (6)	206 00 241 171

*6 parts

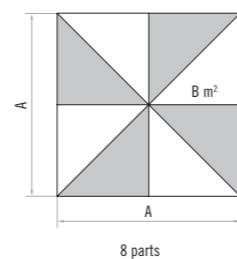
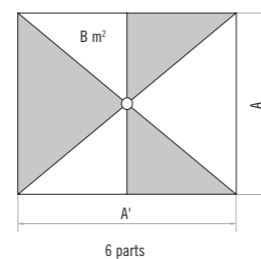
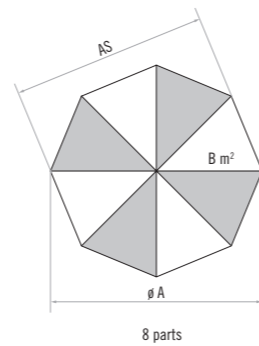
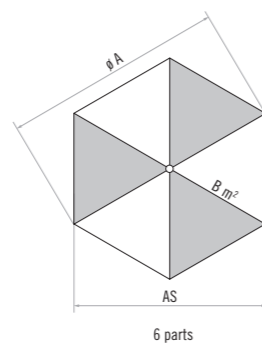
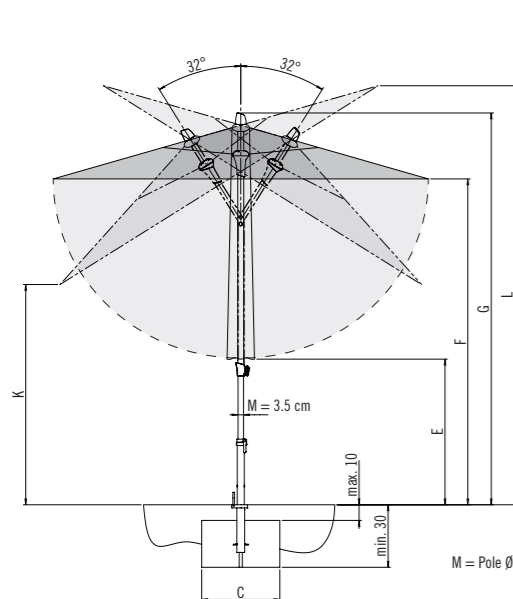
*8 parts

The listed measures represent extrapolated average values that may be slightly different on the product (± 2 % ± 5 cm).

Height dimensions are based on ground socket BT. These vary slightly depending on the type of base. Except for steel base minus 5 cm.

The max. wind speed limits as per our separate sheet apply only if the sunshade canopy is in a horizontal position and if there is a fix ground anchorage.

In the presence of several sunshades, the minimum distance between one sunshade and another and between sunshades and walls shall be 20 cm.



Loose cover max. 10 cm, concrete thickness min. 30 cm (pay attention to frost depth), water outflow

Accessories

	Order no.
Fixing option Z (support tube Z absolutely necessary)	
1. Concrete base Z, 30 kg, ∅ 47×8.5 cm	350 01 109 532
1. Concrete base Z, 40 kg, ∅ 60×8.5 cm	350 01 109 529
2. Granite base Z, 40 kg, ∅ 53×7 cm, natural stone	350 01 109 460
3. 3 Granite base Z, 55 kg, 55×55×9 cm, natural stone, with castors and retractable handle	350 01 109 440
4. Steel base Z, 40 kg, 58.5×58.5×2 cm, galvanised steel	350 01 100 210
5. Wall bracket Z, 180 mm, galvanised steel	350 01 205 000
6. Lawn spike Z, 85×150×350, galvanised steel	350 01 205 400
7. Support tube Z, ∅ 35/38 – 39 mm, galvanised steel	350 01 201 010
7. Support tube Z, ∅ 35/38 – 39 mm, high-grade steel 1.4301/304	350 01 201 100
3 Base with castors Z (support tube Z absolutely necessary)	
8. Base with castors Z, 55 kg, 65×65×11 cm, cast concrete decor	350 01 102 900
3 Base with castors (Weight set absolutely necessary)	
9. Base frame with castors 45 kg, 50×50×12 cm, anthracite, with support tube ∅ 35/38 – 39 mm, polished aluminium (Base frame ca. 13 kg)	350 01 102 300
Weight Set, 4 pieces 35001105300, concrete, for base with castors 45 kg (Weight Set ca. 32 kg)	350 01 103 300
Protective cover for base with castors 45 kg	350 01 602 300
10. Base frame with castors 60 kg, ∅ 61×12 cm, anthracite, with support tube ∅ 35/38 – 39 mm, polished aluminium (Base frame ca. 17 kg)	350 01 102 400
Weight Set, 4 pieces 35001105400, concrete, for base with castors 60 kg (Weight Set ca. 43 kg)	350 01 103 400
Protective cover for base with castors 60 kg	350 01 602 400
Fixing option BT (Connection tube BT absolutely necessary)	
11. Ground socket BT, galvanised steel	350 01 206 100
12. Connection tube BT ∅ 35/38 – 39 mm, galvanised steel	350 01 206 210
Different fixing options	
13. Wall consoles U for the table top, ∅ 31 – 40 mm, high-grade steel 1.4301/304, for horizontal flat railing, square profile up to 120 mm	350 01 252 005
Protective cover, coated polyester fabric	
14. Protective cover with zip and rod	350 01 609 971
10 pieces, protective cover with zip and rod	350 01 609 973
Miscellaneous items	
15. Rechargeable battery light Osyrion 6 for pole ∅ 30 – 50 mm, battery charger with european plug (type C) included 1 accumulator included	350 01 557 950
16. Rechargeable battery light Osyrion 4 for pole ∅ 30 – 50 mm, battery charger with european plug (type C) included 1 accumulator included	350 01 557 910
Spare accu, 3.6 V, 2500 mAh (for Osyrion 4 & 6)	350 01 557 920

³only suitable for smooth, joint free surface coverings

